

METRIC

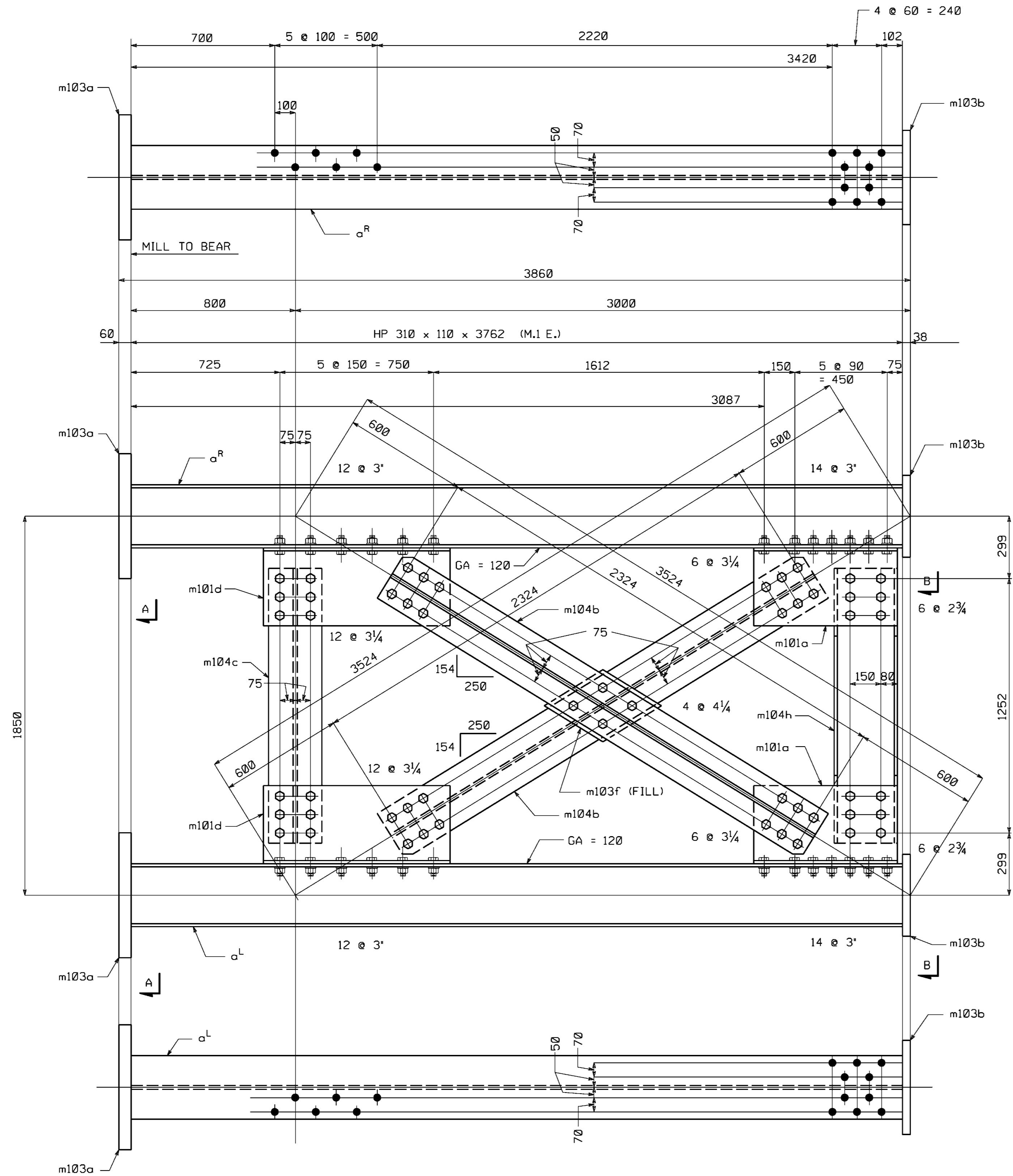
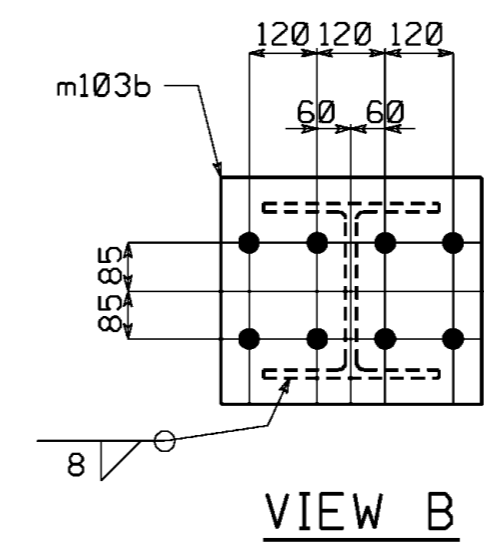
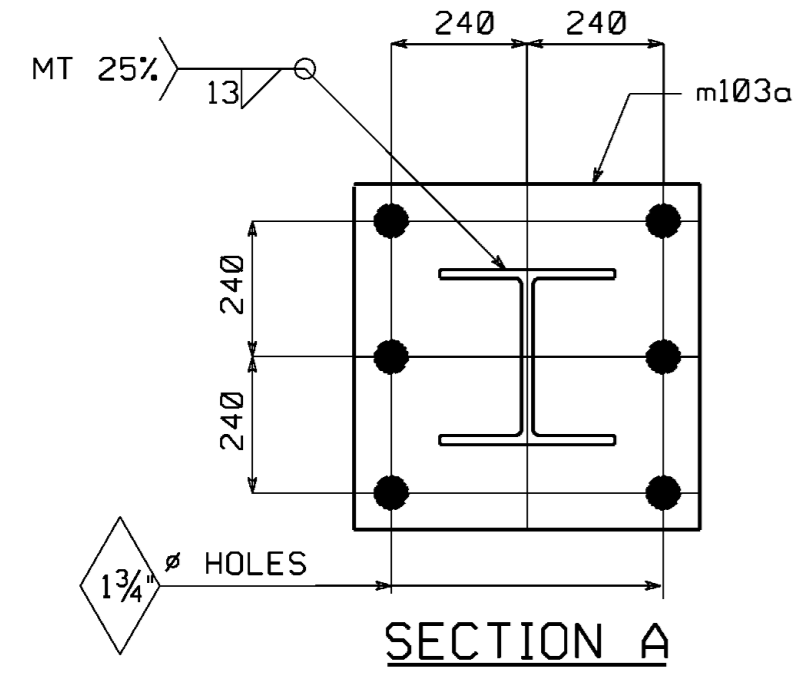
METRIC

1. ALL DIMENSIONS ARE IN MILLIMETERS UNLESS OTHERWISE NOTED.
2. ALL WEIGHTS ARE IN KILOGRAMS.

FED. ROAD DIV. NO.	STATE	FED. AID PROJ. NO.
3	PA	

BILL OF MATERIAL

NO.	MARK	DESCRIPTION	LENGTH	REMARKS	ITEM	SHIP. WEIGHT EST.
2	B6A	BENT ASS'Y				2183kg
4	a ^R	HP 310x110	3762	MIE (T) (HP 12 x74)		
4	m103a	60x610	610	(T)	A709M GR 250	
4	m103b	38x400	460	(T)	A709M GR 250	
2	m103f	14x280	454	FILL (T)		
4	m104b	WT 125x65.5	2424	(WT 5x44)(T)	A709M GR 250	
2	m104c	WT 125x65.5	1352	(WT 5x44)(T)	A709M GR 250	
2	m104h	HP 310x110	1352	(HP 12x74)(T)		
4	m101a	WT 380x86.5	700	(WT 15x58)(T)	A709M GR 250	
4	m101d	WT 380x86.5	910	(WT 15x58)(T)	A709M GR 250	
24		1" H.S. BOLTS	2 3/4"			
104		1" H.S. BOLTS	3"			
72		1" H.S. BOLTS	3 1/4"			
8		1" H.S. BOLTS	4 1/4"			
208		WASHERS FOR 1" H.S. BOLTS				



BENT ASSEMBLY MK. B6A

SHOP NOTE

HOLES: 1 1/16" (UN)
BOLTS: AS NOTED
PAINT: SEE DWG. G01
 FOR GENERAL SHOP NOTES, SEE DWG. G01.

NO.	REVISION	BY	DATE

HIGH STEEL STRUCTURES, INC.
 1770 Hempstead Road
 Lancaster, PA 17605-0008
 Phone 717/299-5211
 A Division of High Industries, Inc.

BENTS
 N.S. RAILWAY TEMP. TRESTLE BRIDGE OVER S.R. 0309
 N.S. RAILWAY TEMP. TRESTLE BRIDGE STA. 8 + 671.276
 MONTGOMERY COUNTY, PA
 COMMONWEALTH OF PENNSYLVANIA
 DEPARTMENT OF TRANSPORTATION

STATE CONTRACT OR REF. NO. S-25417 ECMS NO. 64275
 CONTRACTOR NYLEVE BRIDGE CORPORATION
 IN CHARGE: COLONIAL(WRC) MADE BY: JTC CHK'D BY: RAS DATE: 10/15/04
 CONTRACT NUMBER: PA-04091-1 DRAWING NUMBER: 111 OF 132

BY: c:n11
PLOTTED: 01/25/05 08:05:34 AM