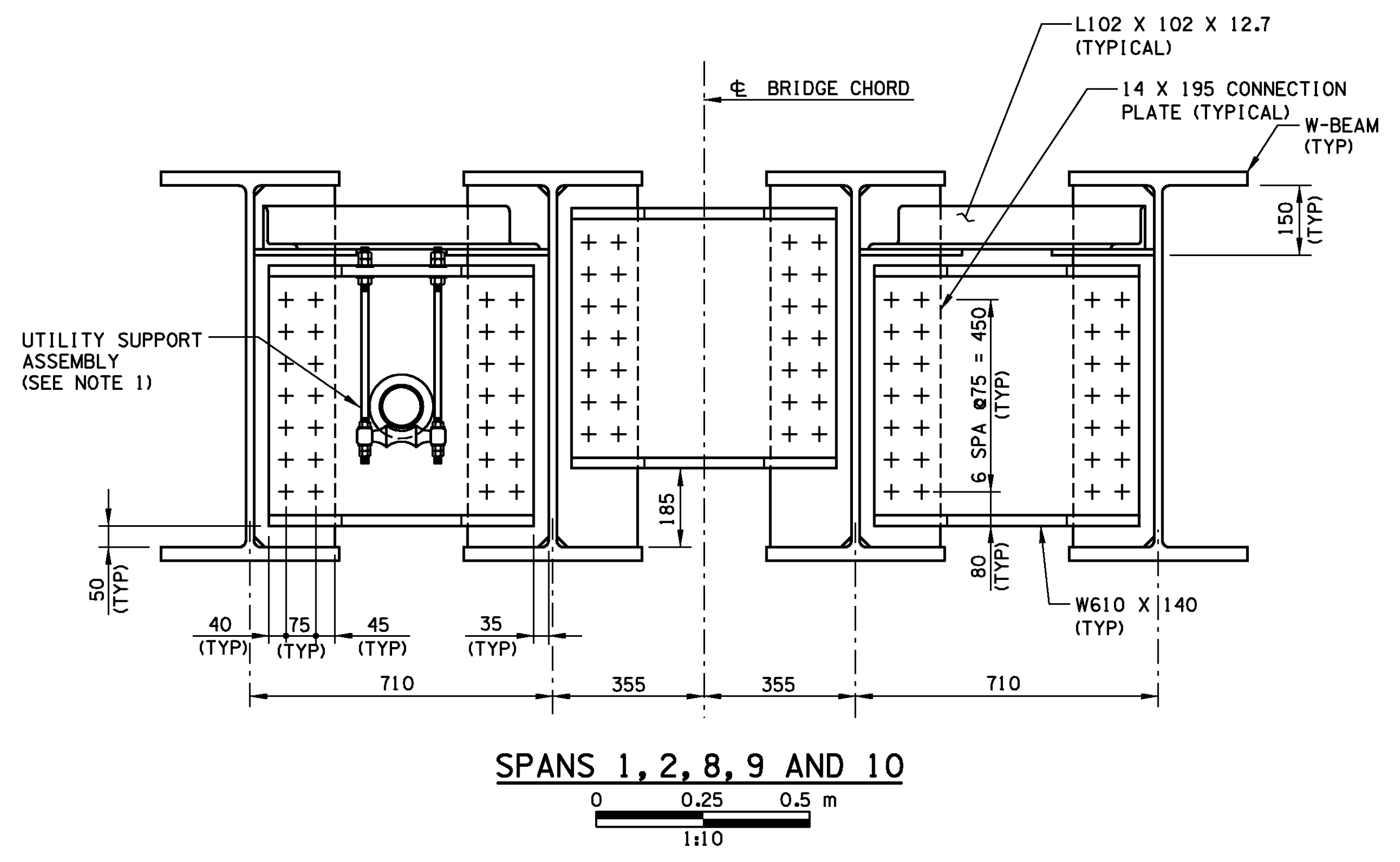
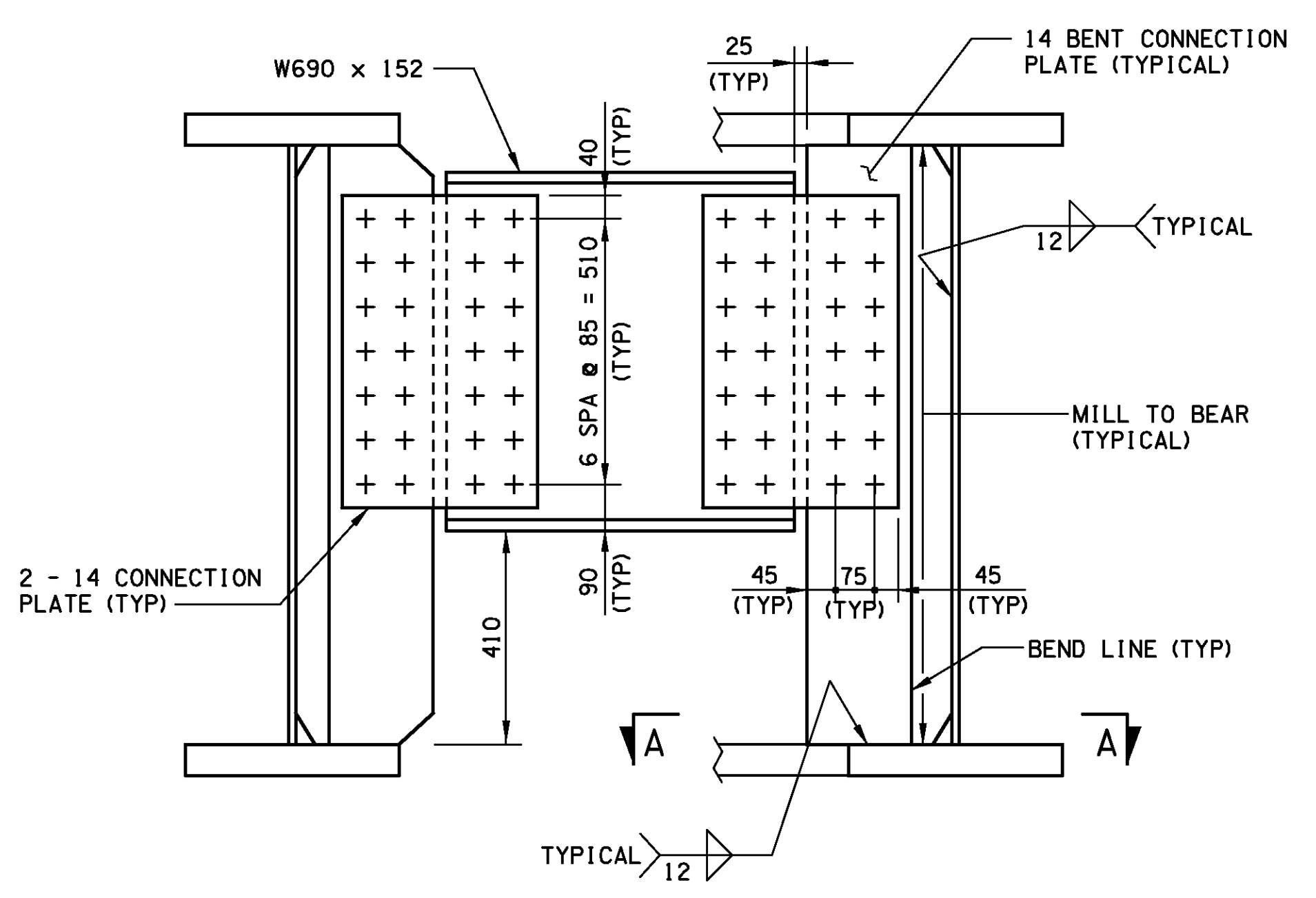


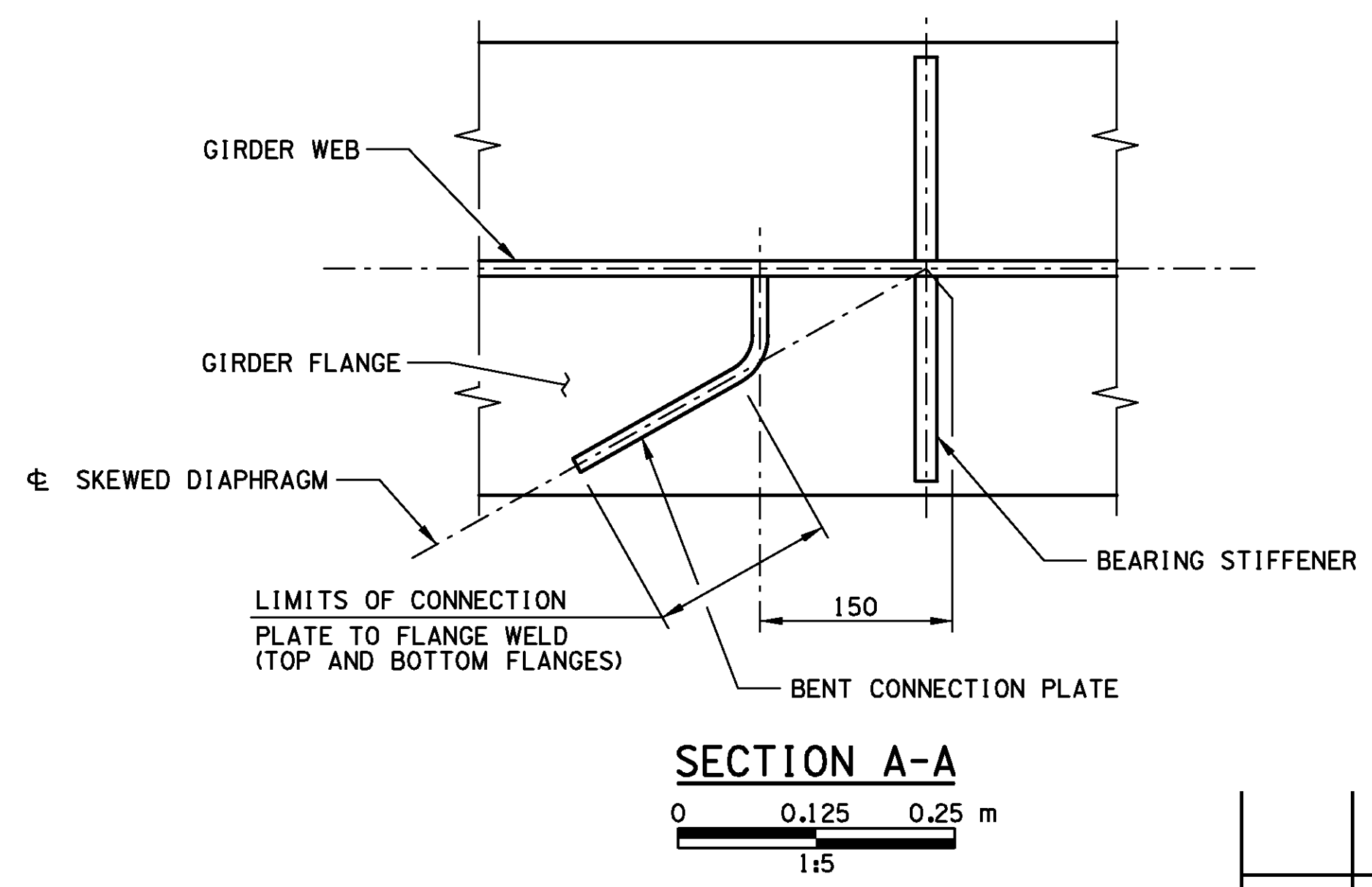
SPANS 3, 4, 5, 6 & 7
0 0.25 0.5 m
1:10



SPANS 1, 2, 8, 9 AND 10
0 0.25 0.5 m
1:10



SKEWED DIAPHRAGM - BENTS 5, 6 & 7
0 0.25 0.5 m
1:10



SECTION A-A
0 0.125 0.25 m
1:5

NOTES:

- 1. FOR DETAILS OF UTILITY SUPPORT, SEE UTILITY DETAILS SHEET.

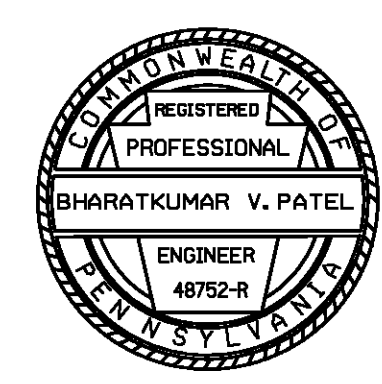
Mark	Description	By	Chk'd.	Rev'd.	Date
REVISIONS					

SR 0309 PREVIOUSLY KNOWN AS LR 782

COMMONWEALTH OF PENNSYLVANIA
DEPARTMENT OF TRANSPORTATION

MONTGOMERY COUNTY
SR 0309 SEC 103
SEG 0150 OFF 302 NB SEG 0151 OFF 302 SB
NORFOLK SOUTHERN RAILWAY (MILEPOST MV 24.09)
OVER SR 0309 STA 8+671.276
TEMPORARY RUNAROUND TRESTLE BRIDGE
DIAPHRAGM DETAILS

PREPARED BY:
GANNETT FLEMING, INC.
Valley Forge, PA



Recommended: JUNE 02, 2004

SHEET 35 OF 77

S-25417

FILE: g:\rte309\structure\runaround\lge\tnsgd02.dgn
DATE: 10-May-2004 17:21

DESIGNED: YWL
DRAWN: EGH/CTD
CHECKED: YWL