

METRIC

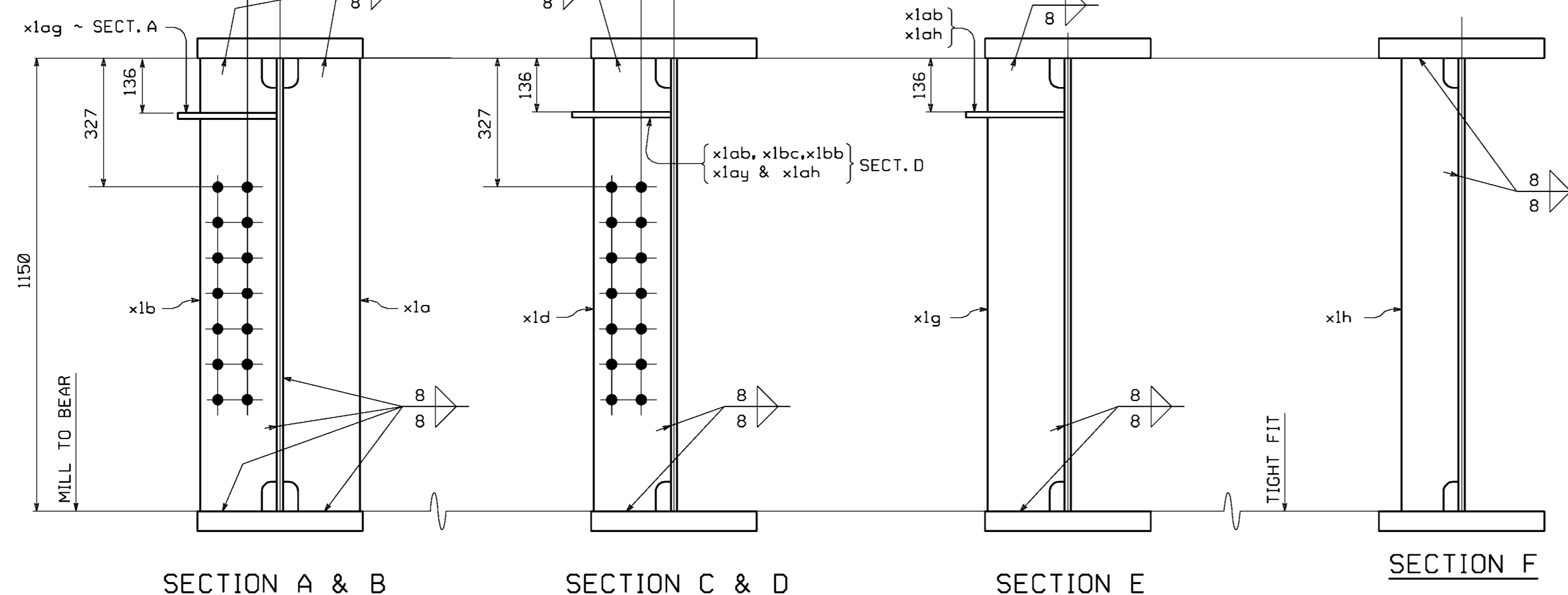
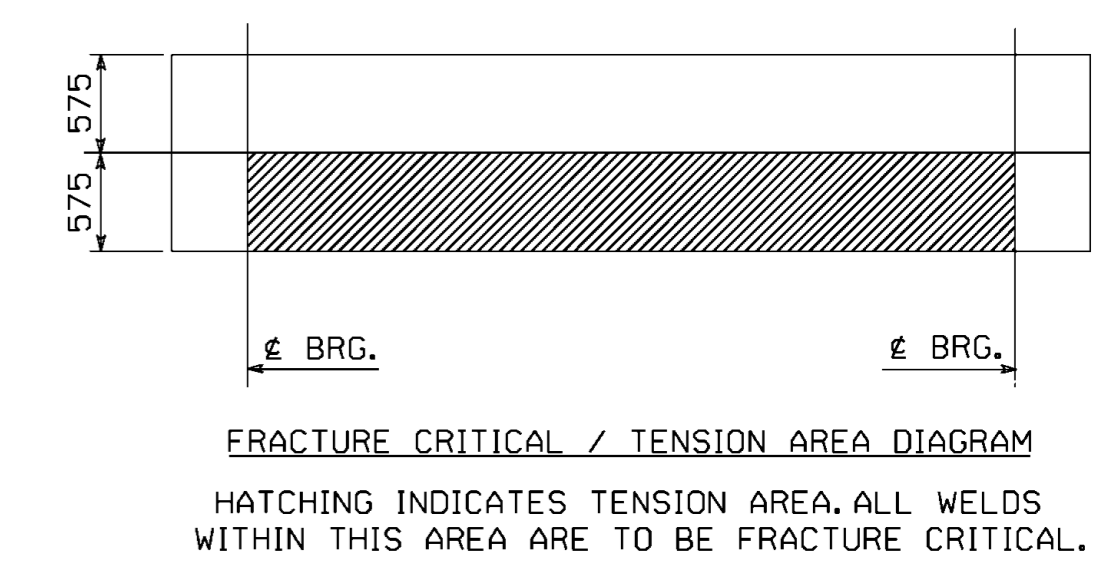
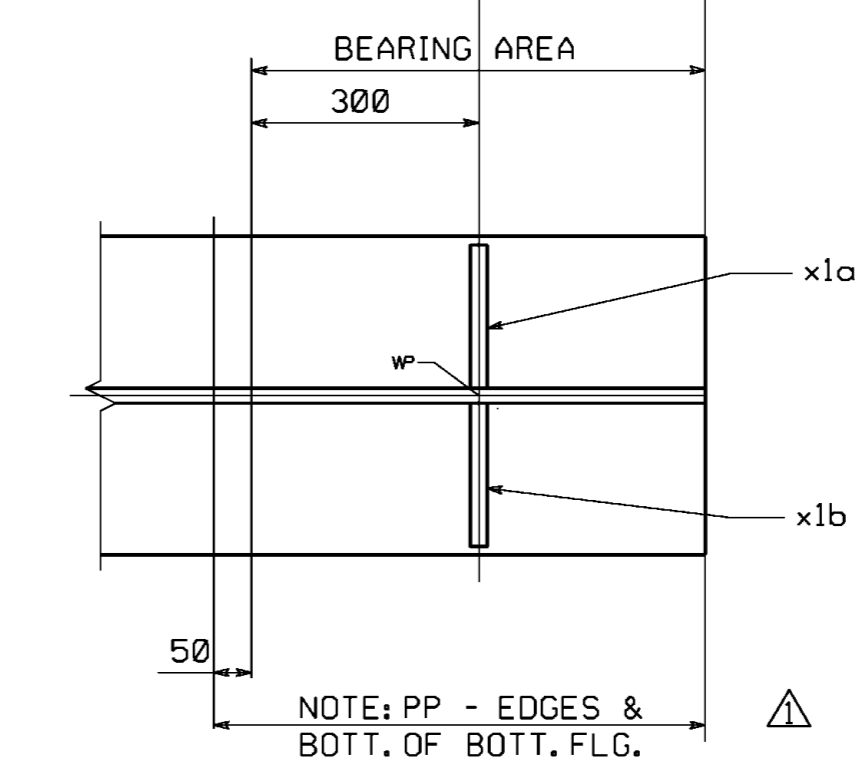
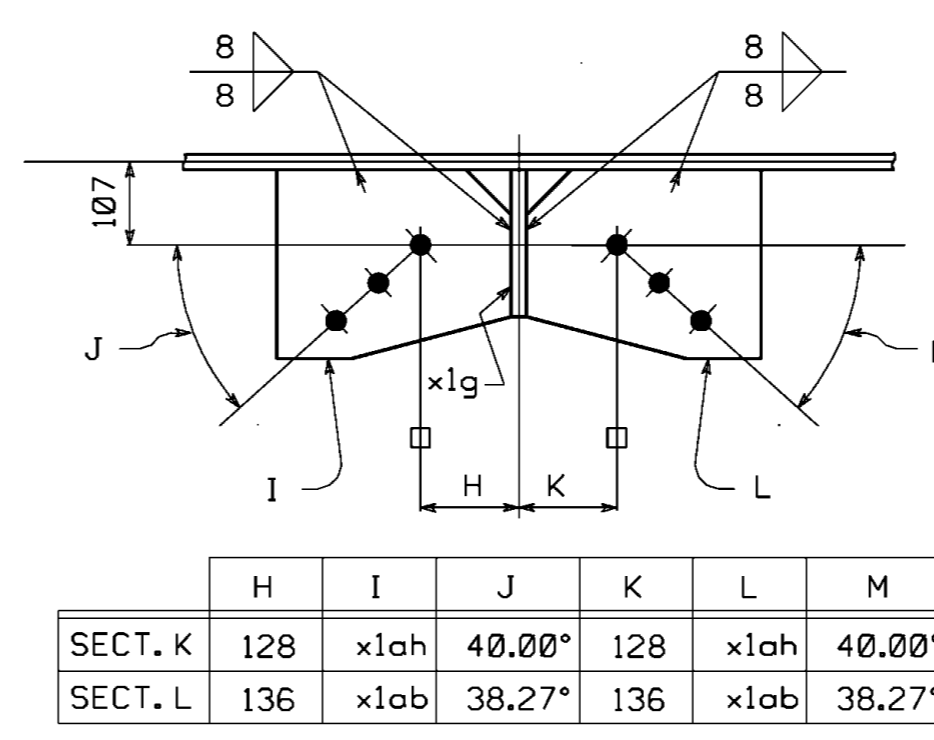
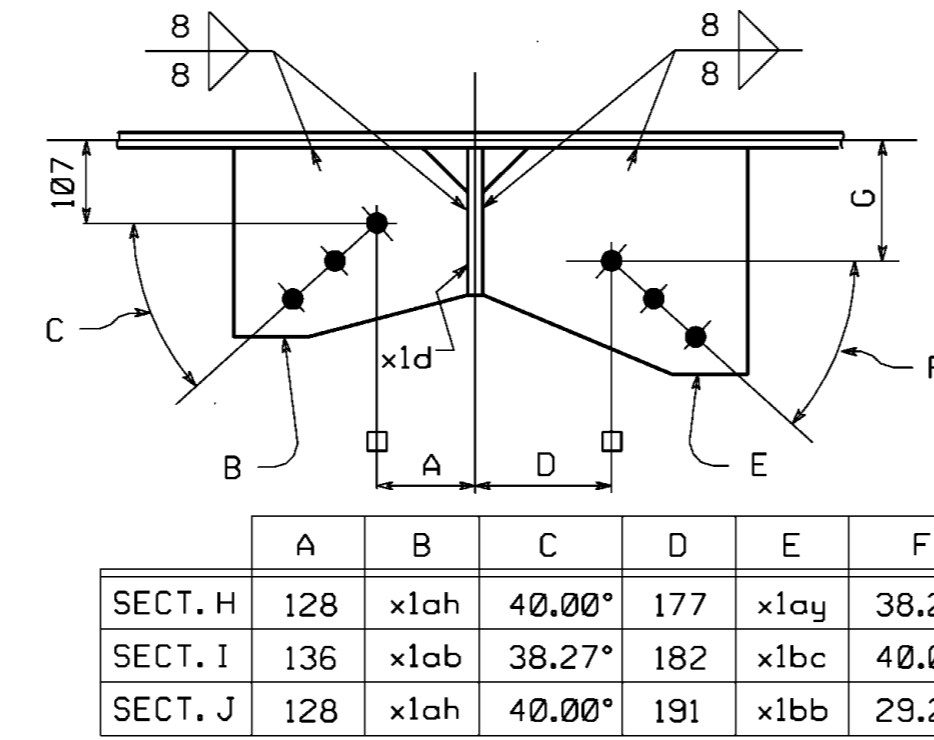
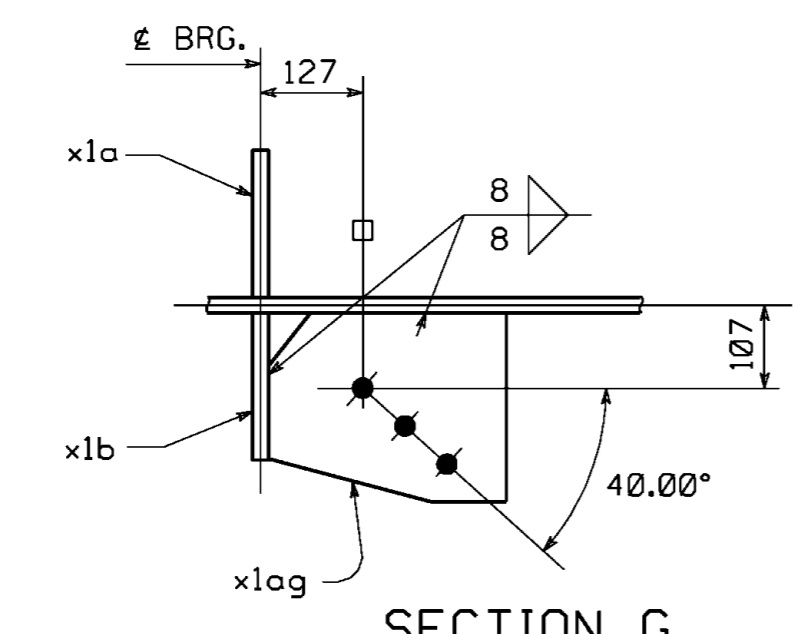
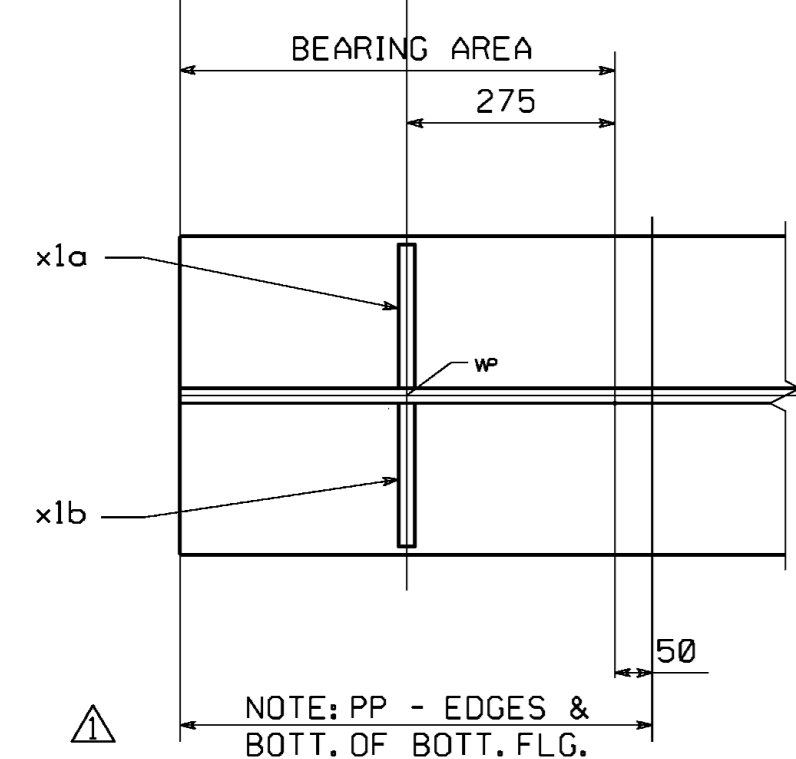
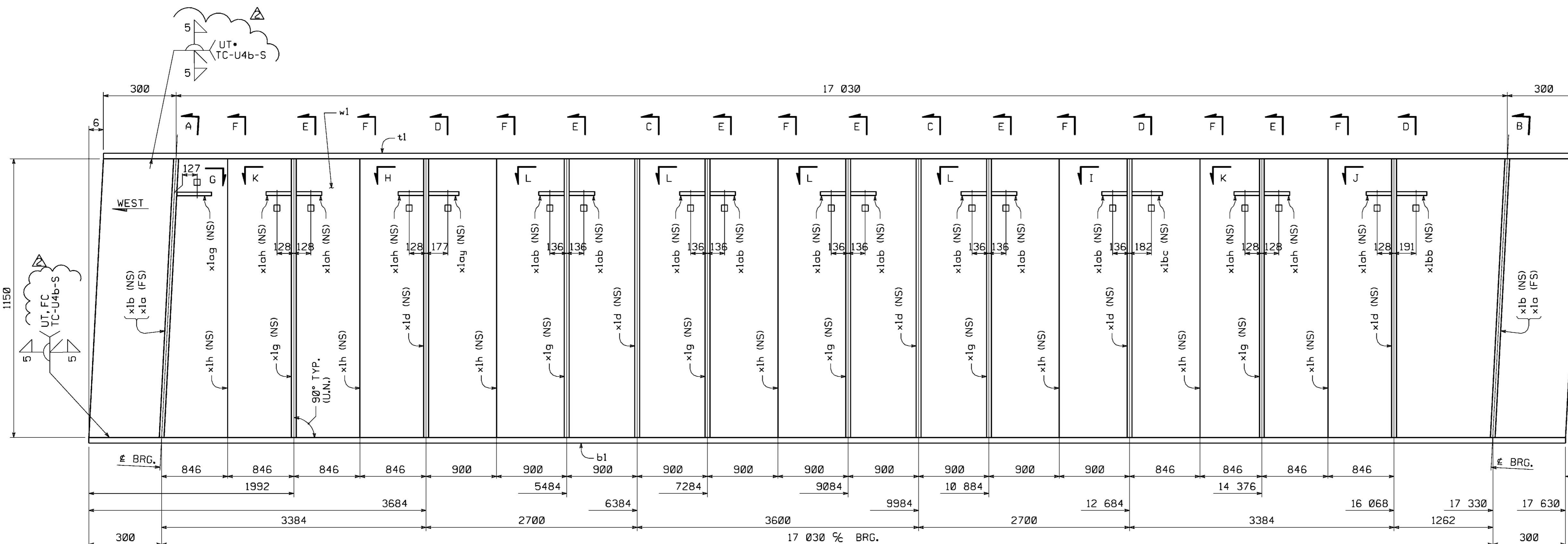
METRIC

1. ALL DIMENSIONS ARE IN MILLIMETERS UNLESS OTHERWISE NOTED.
2. ALL WEIGHTS ARE IN KILOGRAMS.

FED. ROAD DIV. NO.	STATE	FED. AID PROJ. NO.
3	PA	

BILL OF MATERIAL

NO.	MARK	DESCRIPTION	LENGTH	REMARKS	ITEM	SHIP. WEIGHT EA.
ONE	FG17E	GIRDER				11062kg
1	w1	PL 14 x 1150	17 636	A709M GR. 250 (FCM)	3/2	
1	t1	PL 70 x 420	17 630	(T) A709M GR. 250	4/4	
1	b1	PL 70 x 420	17 630	A709M GR. 250 (FCM)	4/3	
2	x1a	PL 22 x 195	1150	(T)	7/1	
2	x1b	PL 22 x 195	1150	(T)	7/1	
5	x1d	PL 14 x 195	1150	(T)	7/3	
6	x1g	PL 14 x 195	1150	(T)	7/3	
7	x1h	PL 14 x 140	1150	(T)	7/4	
9	x1ab	PL 14 x 250	310	(T) A709M GR. 250	7/5	
1	x1ag	PL 14 x 250	310	(T) A709M GR. 250	7/5	
6	x1ah	PL 14 x 250	310	(T) A709M GR. 250	7/5	
1	x1ay	PL 14 x 305	335	(T) A709M GR. 250	7/5	
1	x1bc	PL 14 x 305	335	(T) A709M GR. 250	7/5	
1	x1bb	PL 14 x 250	360	(T) A709M GR. 250	7/5	



UT* = TEST 100% AT EACH END OF TOP FLANGE FROM CENTERLINE OF BEARING FOR 10% OF LENGTH AND 10% OF REMAINING LENGTH.

NOTE: PP ~ LIGHT RUST PREVENTIVE COAT

SHOP NOTE

HOLES: 15/16"

BOLTS: NONE

PAINT: SEE DWG. GNI FOR GENERAL SHOP NOTES, SEE DWG. GNI. FOR WEB CAMBER DIAGRAM, SEE DWG. WC1.

1	REVISED WELD SYMBOL PER SHOP REQUEST	RS	4/5/05
2	REVISED UT NOTE AND NO PAINT TO LIGHT RUST PREVENTIVE COAT	RS	3/2/05
NO.	REVISION	BY	DATE

1770 Hempstead Road
Lancaster, PA 17605-0008
Phone 717/299-5211

HIGH STEEL STRUCTURES, INC.

A Division of High Industries, Inc.

GIRDER FG17E

N.S. RAILWAY TEMP. TRESTLE BRIDGE OVER S.R. 0309

N.S. RAILWAY TEMP. TRESTLE BRIDGE STA. 8 + 671.276

MONTGOMERY COUNTY, PA

COMMONWEALTH OF PENNSYLVANIA

DEPARTMENT OF TRANSPORTATION

STATE CONTRACT OR REF. NO. S-25417 ECMS NO. 64275

CONTRACTOR NYLEVE BRIDGE CORPORATION

IN CHARGE: COLONIAL(WRC) MADE BY: RAS CHK'D: JTC DATE: 12-21-04

CONTRACT NUMBER: PA-04091-1 DRAWING NUMBER: 23 OF 46

BY: epl1
PLOTTER: 04/07/05 07:45:26 AM

CODE:30